

deadlocking bolt

Slimline - DB25

The Alpro DB25 incorporates the latest design innovations to be applied to the manufacture of a transverse action Deadlocking Solenoid Bolt.

This Ultra-slim design enables fixing into very narrow sections whilst an advanced microprocessor module provides power reduction allowing for continuous operation without heat generation as well as automatic voltage regulation, dual monitoring and access control features.

High Physical Security

Holding force 1,000kg - automatic deadlocking
Bolt throw 16mm

Robust Construction

All stainless steel bolt of 12.7mm diameter, linkages and springs. 3mm stainless steel faceplate and strike plates with fully enclosed mechanism.

Versatile Installation

Designed to provide concealed high security locking on any single or double action, hinged or sliding door in timber or metal for vertical or horizontal mounting.

Slimline Dimensions

210mm(L) x 25mm(W) x 42mm(D)

Back box 164mm(L) x 22mm(W) x 39mm(D)

Faceplates

Radius and square ended available

Multiple Voltage Input

Any voltage from 12v DC -10% to 24v DC +15%.
Complete with built in transient and reverse polarity protection and continuously rated solenoid.

Low Current Consumption

Volts	Current - Activate	Current - Hold (after 200ms)
12v DC	1100mA	210mA
24v DC	1000mA	90mA

Dual Monitoring

Bolt and Door position switches



Built-in Access Control Module

Automatic unlock period - 8 seconds
Multiple auto relock function - PTL
Multiple unlock function - PTO

Accessories

Surface mounting kit in stainless steel

Approvals

CE - BS EN 50081-1 and BS EN 50082-1

Built-in Access Control Module

Automatic unlock period - a fixed 8 second period operates once the bolt is signalled to unlock. This enables traffic exiting 8 seconds in which to open the door before it automatically relocks. See Anti-Tailgate.

Multiple auto relock function - when relocking the bolt makes 8 locking attempts over 16 seconds.

Change in the Bolt Position Switch status indicates that the door has been locked. Fail open models only.

Multiple unlock - in fail secure mode - 5 attempts to unlock door at 1.6 second intervals.

Anti-Tailgate - once the door has been pushed open and closed during the 8 second unlock period, the bolt will immediately relock.

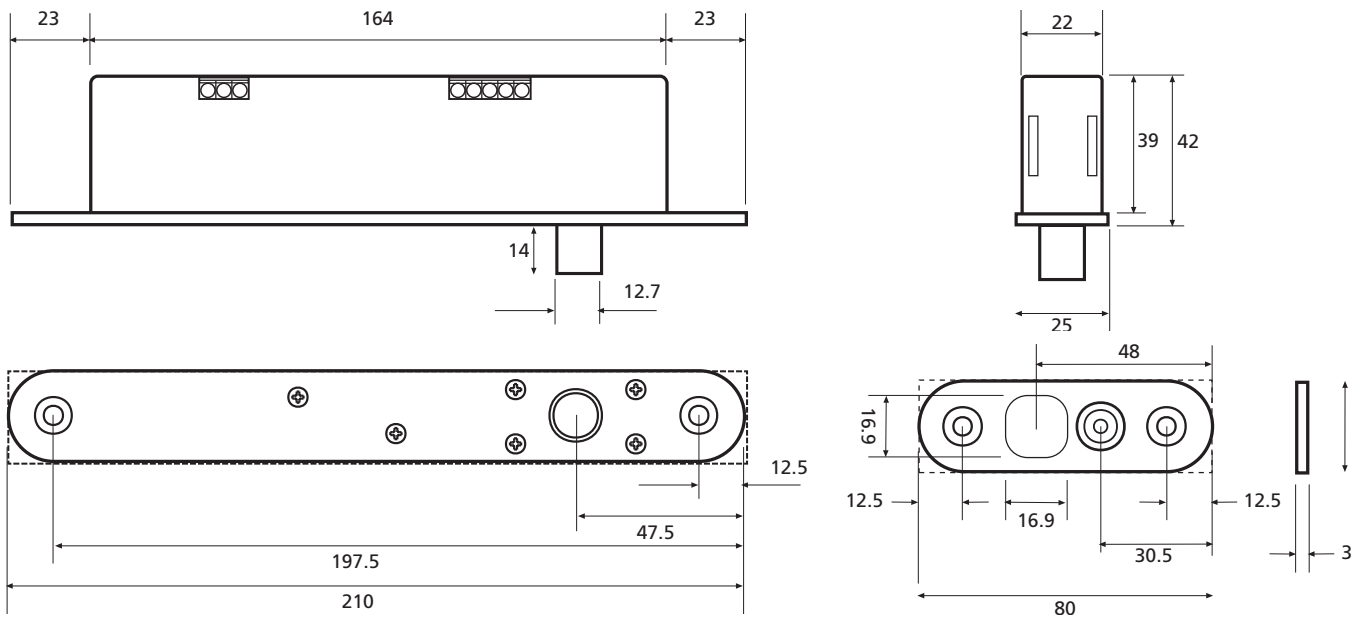
DESCRIPTION	FUNCTION	CODE	FUNCTION	CODE
-------------	----------	------	----------	------

Slimline Solenoid Bolt 12/24v DC	Fail Open - Power to Lock	DB25 PTLOCK*	Fail Secure - Power to Open	DB25 PTOPEM*
-------------------------------------	---------------------------	---------------------	-----------------------------	---------------------

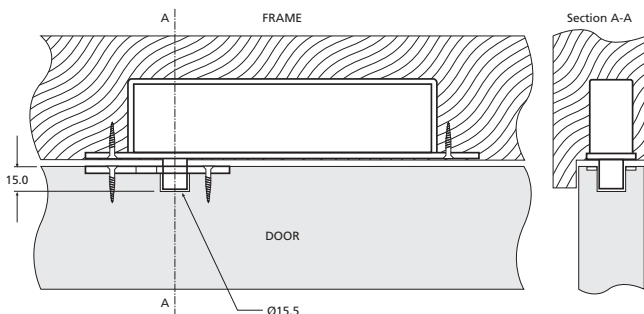
ACCESSORIES	FINISH	CODE
-------------	--------	------

Surface Mounting Kit	Stainless steel	DB25/SMH-KIT
----------------------	-----------------	---------------------

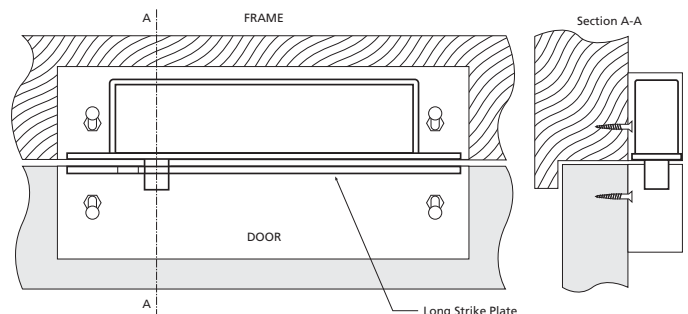
*Square corner face plate option - add 'S' to code e.g. DB25S PTLOCK.



Normal fixing



Surface mount kit - stainless steel



Housing dimensions 225mm(L) x 27.4mm(W) x 46.5mm(D)

deadlocking bolt

Slimline - Key Override - DB25KO

The Alpro DB25KO key override model offers the same functionality as the standard DB25 with provision for a Euro profile cylinder as a means of mechanical override. The ultra-slim design of the DB25KO enables fixing into very narrow sections. An advanced microprocessor module provides power reduction allowing continuous operation without heat generation as well as automatic voltage regulation, dual monitoring and access control features.

High Physical Security

Holding force 1,000kg - automatic deadlocking
Bolt throw 16mm

Robust Construction

All stainless steel bolt of 12.7mm diameter, linkages and springs. 3mm stainless steel faceplate and strike plates with fully enclosed mechanism.

Maintained Key Override

Using standard Euro profile cylinder case pierced both sides for operation either side.

Versatile Installation

Designed to provide concealed high security locking on any single or double action, hinged or sliding door in timber or metal for vertical or horizontal mounting.

Slimline Dimensions

280mm(L) x 25mm(W) x 42mm(D)

Back box 230mm(L) x 22mm(W) x 42mm(D)

Faceplates

Radius and square ended available

Multiple Voltage Input

Any voltage from 12v DC -10% to 24v DC +15%.

Complete with built in transient and reverse polarity protection and continuously rated solenoid.

Low Current Consumption

Volts	Current - Activate	Current - Hold (after 200ms)
12v DC	1100mA	210mA
24v DC	1000mA	90mA



Triple Monitoring

Bolt, Door and Key position switches

Built-in Access Control Module

Automatic unlock period - 8 seconds

Multiple auto relock function - PTL - 8 times

Multiple unlock function - PTO - 5 times

Accessories

Surface mounting kit in stainless steel

Approvals

CE - BS EN 50081-1 and BS EN 50082-1

Built-in Access Control Module

Automatic unlock period - a fixed 8 second period operates once the bolt is signalled to unlock. This enables traffic exiting 8 seconds in which to open the door before it automatically relocks. See Anti-Tailgate.

Multiple auto relock function - when relocking the bolt makes 8 locking attempts over 16 seconds.

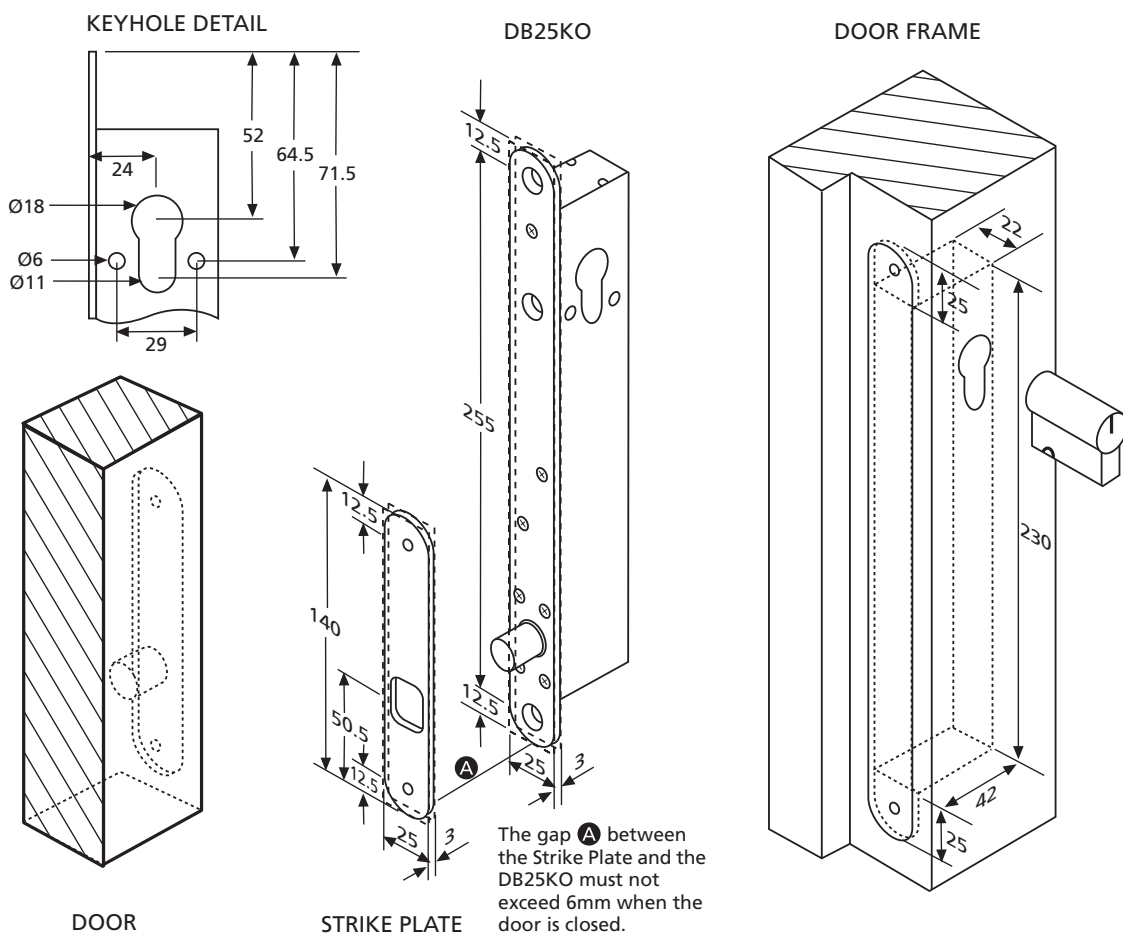
Change in the Bolt Position Switch status indicates that the door has been locked. Fail open models only.

Multiple unlock - in fail secure mode - 5 attempts to unlock door at 1.6 second intervals.

Anti-Tailgate - once the door has been pushed open and closed during the 8 second unlock period, the bolt will immediately relock.

DESCRIPTION	FUNCTION	CODE
12/24v DC	Fail Open - Power to Lock	DB25KO PTLOCK*
12/24v DC	Fail Secure - Power to Open	DB25KO PTOPEM*
ACCESSORIES		CODE
Surface Mounting Kit - Surface Mount Housing/Surface Mount Strike Box/Long Strike Plate		DB25KO/SMH-KIT
Extras for glass applications - Kit comprises 2 stainless steel Dress Plates		DB25KO/SMK-DP
Long Strike Plate - Replacement		DB25KO/LONG
Half Euro Profile Cylinder Keyed Alike 40mm		SEU402KA5224
Half Euro Profile Cylinder Keyed Differ 40mm		SEU402KD5222

*Square corner face plate option - add 'S' to code e.g. DB25SKO PTLOCK.



Housing dimensions: 295mm (L) x 47mm (H) x 28.5mm (W)